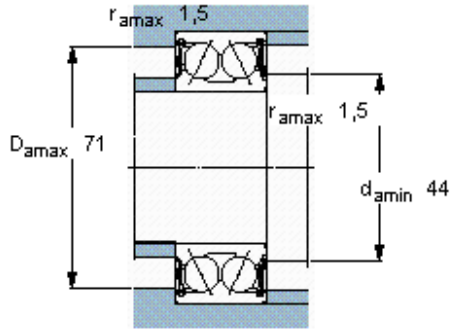
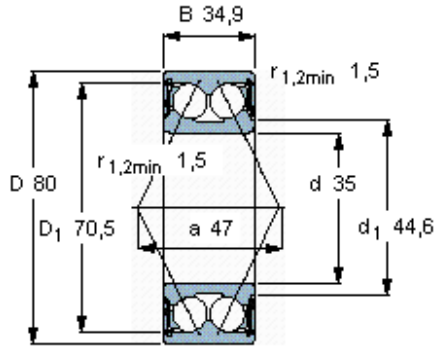


Angular contact ball bearings, double row

Principal dimensions			Basic load ratings		Speed ratings		Designation
d	D	B	dynamic C	static C0	Reference speed r/min	Limiting speed	
mm			kN				* SKF Explorer bearing
35	80	34,9	52	35,5	-	6000	3307 A-2RS1TN9/MT33 *



Calculation factors

- k_r 0,07
- e 0,8
- X 0,63
- Y₁ 0,78
- Y₂ 1,24
- Y₀ 0,66